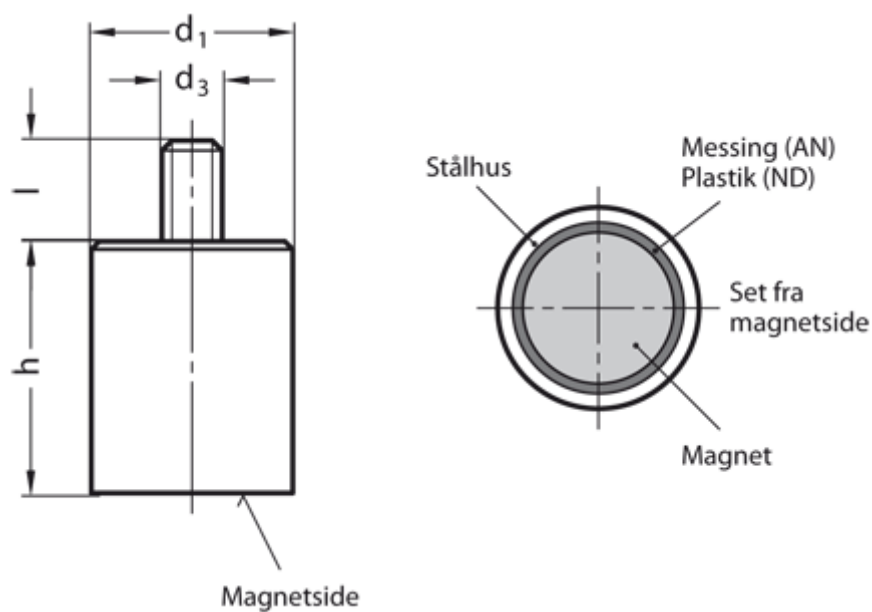


Article number: 201241411

Description: E+G Retaining magnets with threaded stud GN 52.4-AN-20-M6-E
Alu, Nickel, Cobalt - 450° C, 40N

Measures



d_1	= 20
d_3	= M6
h	= 25 ±0,2
Holding force N	= 40.0
l	= 10
Material	= AN Alu, nickel, cobalt, 450°C